

The logo for AGI Hutchinson Mayrath is positioned on the left side of the page, partially overlapping a dark green vertical bar. It features the letters "AGI" in a bold, white, sans-serif font, followed by the words "HUTCHINSON" and "MAYRATH" stacked vertically in a smaller, white, sans-serif font.

ECLIPSE

TOWER & CATWALK SOLUTIONS



HIGH QUALITY. LOWER COST.

Eclipse Tower & Catwalk Solutions is the revolutionary grain handling and equipment support system that's engineered for farm and other light-duty applications.

Designed for the harshest environments and most rigorous operating schedules, Eclipse components are made from the finest galvanized steel. Eclipse towers use a roll-formed "C-Channel" design, and are constructed from 12-gauge heavy-duty galvanized steel. The end result is a comprehensive system that offers more strength, safety and stability than simple angleiron products at comparable – or in many cases – lower prices.

Eclipse towers can be erected to a maximum height of 82-feet. Conveyor support systems have a clear-span of 40-feet or 80-feet with center supported by bin, and can support a 16-inch, 20,000 bph loop system or small drag conveyor.

Plus the innovative modular design makes Eclipse fast and easy to erect for lower back-end labor costs. Eclipse spends less time on the ground and more time making money, and the wide range of options and configurations allows you to customize an Eclipse system that's perfect for your needs. If that's not enough, remember that Eclipse is designed and manufactured by Sentinel Building Systems, a leader in the steel building industry and a division of Global Industries ... and nobody knows more about delivering quality and efficiency to the grain industry better than Global. When you add up the benefits Eclipse provides, the choice becomes easy. Sturdier materials ... superior engineering and design ... modular construction for greater versatility and faster erection ... "Rock Solid" stability for enhanced safety and easy access ... all for the same or lower cost than other available systems





Non-truss manwalks are available in 10' and 12' lengths, with support structure required at splice points

26" wide walkways are constructed of 14-gauge galvanized sheet, and include non-slip treadplate and 4" kickplates

Conveyor support side members are a single piece 14-gauge galvanized "C-Channel" in lengths from 8' to 40'

Handrail incorporates a truss design in conjunction with top and intermediate handrails

52" conveyor support includes 26" walkway with handrails

Conveyor support can accommodate up to a 16" – 20,000 bph grain loop or small drag conveyor

48" x 52" top platform cannot be used with ladder assembly, while 52" x 72" and 72" x 96" top platforms include ladder access

26" x 144" platform extensions available

A manwalk-only option is available in lengths from 8' to 40' in 4' increments

Maximum 40' clear span with spans up to 80' with center supported by bin peak

Maximum tower height of 82'

Eclipse's unique modular design insures fast and easy erection

Walkway surfaces available in 4', 6', 8' and 10' lengths

Eclipse components are securely fastened using 1/2" ASTM A325 galvanized bolts

All Eclipse towers are constructed using heavy-duty 12-gauge galvanized steel

Eclipse is packaged to accept intermediate platforms for all available heights, but platforms can be excluded from packages with towers less than 52' in height

42" x 66" intermediate platform available for use with ladder assemblies

Choose from three base tower heights of 6', 8' and a heavy-duty 18' base for towers heights exceeding 62'

Beefy 2" x 2" x 12-gauge bracing angles stand up to the harshest applications and environments

All platforms are made from 14-gauge galvanized steel and include perforated landings and 4" kickplate

Eclipse's innovative "C-Channel" design was engineered to provide maximum strength, stability and versatility

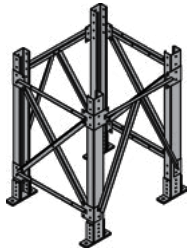
3/4" welded base plates at all four corners for "Rock Solid" stability

Ladder assemblies are available in lengths from 30' to 82', with flared cage-starter sections included

48" x 52" tower footprint is ideal size for a wide range of agricultural uses.



TOWERS

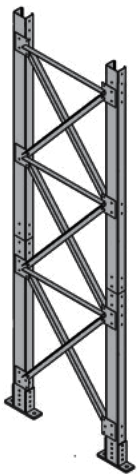
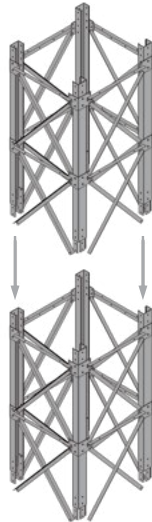


4-Leg Tower Bases

- 6', 8' and heavy-duty 18' base tower sections available.
- 18' heavy-duty based tower required for tower assemblies exceeding 62'.

Tower Sections

- Available in 2' increments up to 62' in height
- Available in 4' increments above 62' height.
- Build to a maximum height of 82'.



2-Leg Towers

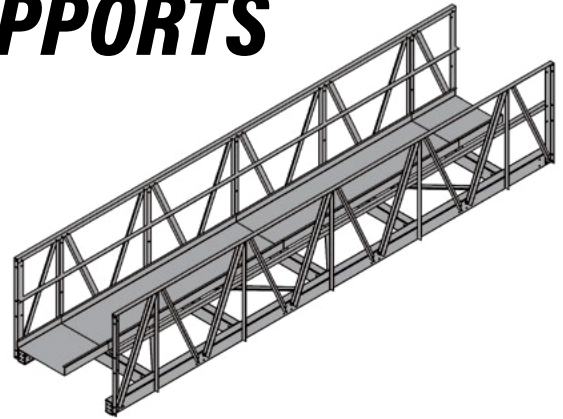
- 6' or 8' base tower sections available.
- Sections in lengths from 8' to 40' in 4' increments.
- Tower-to-ground or bin mount.
- Maximum 35' un-braced height above bin.
- Bin-mount brackets included and optional cross support is available.



Kicker Assembly

- Attaches to sides of 2-leg tower.
- Spans approximately 20'.
- 8" wide top mounting surface for field fabrication equipment mounting brackets.

CONVEYOR SUPPORTS

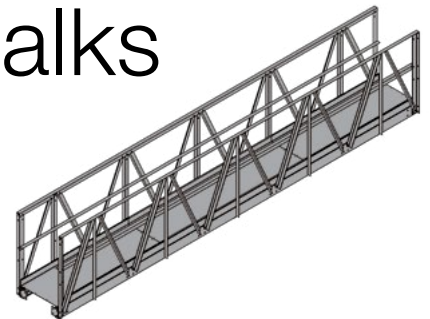


- 52" wide in lengths from 8' to 40' in 4' increments.
- Maximum 40' clear span and up to 80' span with center supported by bin peak.
- Includes a trussed handrail design in conjunction with top and intermediate rails.
- Walkway utilizes 14-gauge galvanized steel that is perforated to provide a non-slip surface. Single piece design incorporates a 4" kickplate.
- Perforated walkway surfaces in 4', 6', 8' and 10' lengths.

Manwalks

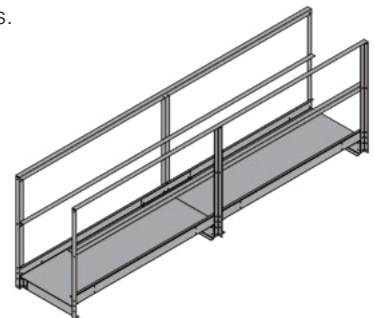
Trussed

- 26" wide in lengths from 8" to 40' in 4' increments.
- Maximum of 40' free-span.
- Supports up to 300 lb point live load.
- 90 mph wind load and dead load.
- Perforated walkway surfaces in 4', 6', 8' and 10' lengths.



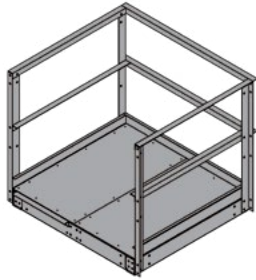
Non-Trussed

- 26" wide in 10' and 12' lengths. 12' length utilizes 2-piece walkway design.
- Maximum span equal to length of individual manwalk assemblies.
- Uses a 14-gauge perforated walkway surface with 4" kickplate.

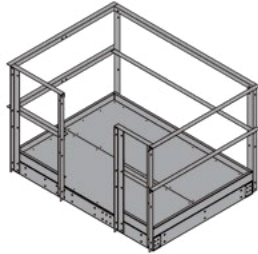


PLATFORMS

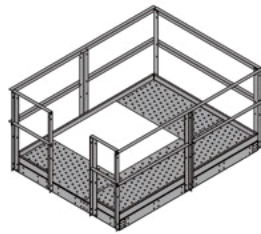
48" x 52"
Top Platform



52" x 72"
Top Platform

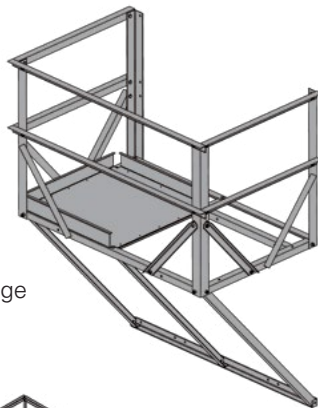


72" x 96"
Top Platform



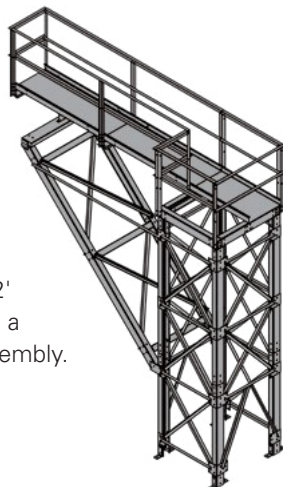
42" x 66"
Rest Platform

- With the exception of the 48" x 52" model, all top platforms can be used with ladder assemblies.
- All platforms include 14-gauge perforated landings and 4" kickplate.



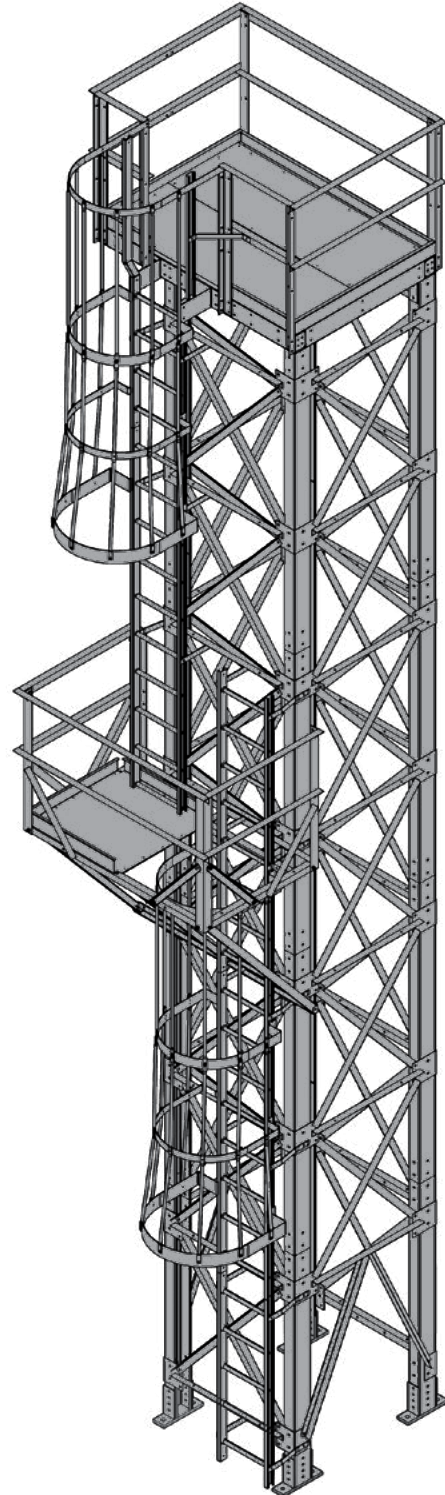
Platform
Extension

- 26" x 144" design.
- Package incorporates a 12' non-trussed manwalk and a single-side of a kicker assembly.



LADDER & CAGES

- Available for all tower heights.
Can be ordered without intermediate platforms on heights up to 52'.
- intermediate platforms included as required on heights above 52'.



DESIGN SPECIFICATIONS

Building Code	IBC 2009 and ASCE7-05
Design Standard	AISI 2007 and AISC 2005
Live Load: 20 psf	Snow Load: 30 psf
Wind Load: 90 mph	Seismic Design Category: B
Walkway Live Load	25 psf or 300 lb point load
Platform Live Load	50 psf or 300 lb point load

CONVEYOR SUPPORT

LOOP SYSTEM

Applies to 4-leg towers and 52' conveyor supports.

Supports up to 16"– 20,000 bph grain loops

Towers are designed to support end reactions from 40' catwalk span only, for any other condition including tower as intermediate support, layout must be approved by design engineer

DRAG CONVEYOR

	Up to 18" Conveyor	Up to 26" Conveyor	Up to 34" Conveyor
SPAN	LOAD	LOAD	LOAD
28 ft.	200 lb/ft	200 lb/ft	200 lb/ft
32 ft.	150 lb/ft	150 lb/ft	150 lb/ft
36 ft.	110 lb/ft	110 lb/ft	110 lb/ft
40 ft.	80 lb/ft	80 lb/ft	80 lb/ft
44 ft.	60 lb/ft	60 lb/ft	
48 ft.	40 lb/ft		

MATERIAL SPECIFICATIONS

TOWERS	Legs	6"x 4"x12-gauge roll-formed C's	Galvanized
	Bracing	Angle 2"x 2"x12-gauge	Galvanized
CONVEYOR SUPPORT	Main Member	6"x 4"x 14-gauge roll-formed C's	Galvanized
	Handrails	Angle 2"x 2"x12-gauge	Galvanized
	Horizontal Bracing	Angle 2"x 2"x12-gauge	Galvanized
TRUSSED MANWALKS	Main Member	6"x 2-1/2"x16-gauge roll-formed C's	Galvanized
	Handrails	Angle 2"x 2"x16-gauge	Galvanized
	Horizontal Bracing	Angle 2"x 2"x12-gauge	Galvanized
NON-TRUSSED MANWALKS	Main Member	Uses Manwalk Plank as Structural Member	Galvanized
	Handrails	Angle 2"x 2"x12-gauge	Galvanized
PLATFORM ASSEMBLY	Main Member	6"x 4"x14-gauge roll-formed C's	Galvanized
	Handrails	Angle 2"x 2"x12-gauge	Galvanized
	Rest Platform	14-gauge perforated sheet with 4' kickplate	Galvanized
KICKER ASSEMBLY	Main Member	6"x 4"x16-gauge roll-formed C's	Galvanized
	Bracing	Angle 2"x 2"x12-gauge	Galvanized
BOLTS		½" ASTM A32	Galvanized



AGI is a global leader in supplying farm and commercial customers with the manufacturing, planning, and engineering of full equipment solutions for grain, seed, fertilizer, feed, and food. AGI's expertise enables the storage, blending, mixing, conveying, conditioning, processing, and protection of agricultural products and inputs worldwide.

Your safety is our highest priority.

Please read and understand the operator's manual and safety decals before using. Use and maintain products properly, and do not modify. Keep guards in place when operating and follow all product manuals and safety decals. For all AGI products, if guards, safety decals, or manuals are damaged or missing, contact your AGI sales or dealer representative for replacements. Images and information contained in this brochure are presented for general information.

AGI and the furrows symbol are trademarks belonging to Ag Growth International Inc.

198 Commerce Drive, Winnipeg, Manitoba, Canada R3P 0Z6

P 800.523.6993 | aggrowth.com/hutchinson

     @aggrowthintl

AGGROWTH.COM