



TWIN SHAFT MIXER

ENVIRONMENT WASTE
FEED AND FOOD PROCESSING
MINERALS - CHEMICAL - CONCRETE

www.sabe.fr

La Perauderie - BP4 - 85140 Chauché - France - Phone: + 33 (0)2 51 41 84 45 - Fax: + 33 (0)2 51 41 80 28

WHY USE A BIROTOR MIXER?

- Very short mixing time in the order of 10 to 60 seconds depending on the type of component.
- No segregation during the mixing phase.
- Ideal for mixes containing products with different grain sizes and densities.
- Very low coefficients of variation, <5%.
- Liquid injection in the fluidisation zone.
- Particle fluidisation in the mixing zone. Ideal for fragile products.
- Low peripheral blade speed.
- High hourly production using a reduced size machine.
- No segregation.
- Very low installed power per tonne of product.
- No segregation during emptying phase due to the very short emptying time: < 10 seconds.
- No product heating or shearing.
- High variation of batch sizes on the same machine, 25% to 140% of nominal capacity.
- Possibility of adding small quantities of components without pre-mixing (15 ppm).

SABE BIROMIX ADVANTAGES

- Large sized 60° emptying door to minimise retention and provide very fast emptying (reduced cycle times).
- Increased leak tightness for very finely graded products. Leak tightness increased using a gland and optionally using an air blower.
- Generously sized ball bearing and offset from the leak tight system.
- Oversized rotor shaft.
- Rounded tank design to minimise product retention inside it.
- Easy to clean

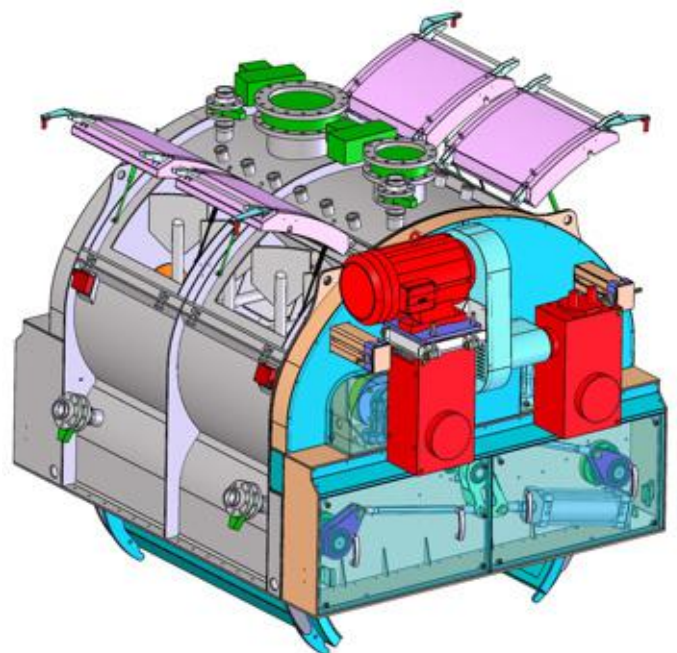
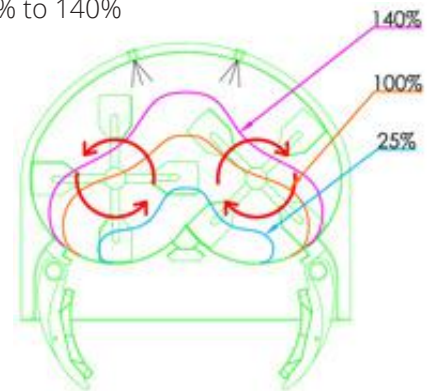
OPTIONS

- Steel or stainless steel construction with different internal and external finishes.
- Vacuum construction. Value: -200mbar.
- Coating.
- Atex (construction and safety).

APPLICATIONS

- Animal feed
- Pet food
- Human food
- Chemicals
- Minerals
- Pharmaceuticals

Filling rate from 25% to 140%



Models from 6000 to 12,000 liters